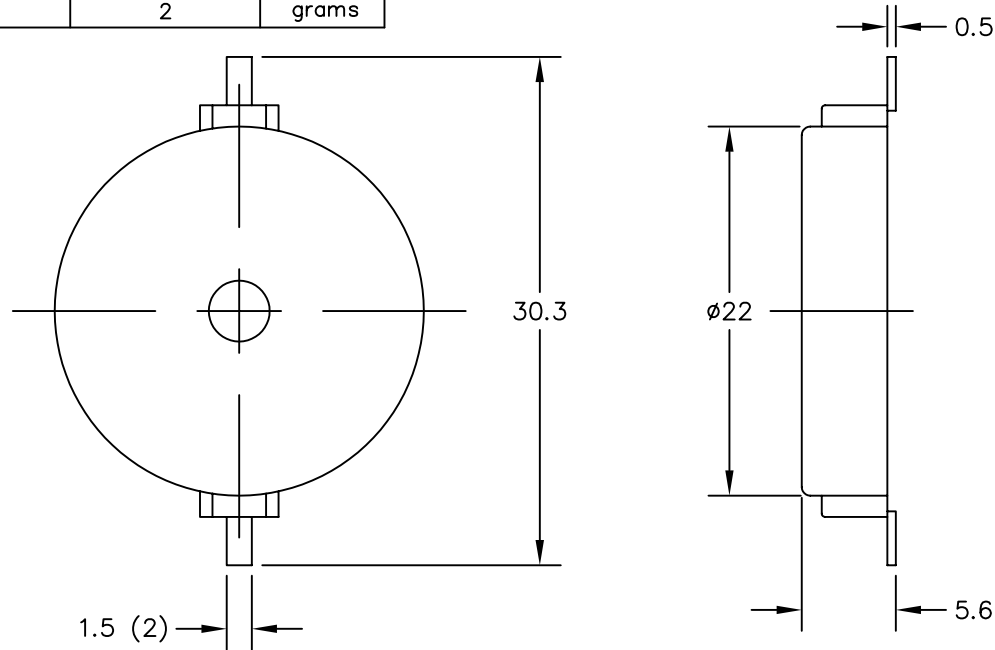


THIS DOCUMENT CONTAINS DATA PROPRIETARY TO PROJECTS UNLIMITED, INC. ANY USE OR REPRODUCTION, IN ANY FORM, WITHOUT PRIOR WRITTEN PERMISSION OF PROJECTS UNLIMITED, INC. IS PROHIBITED.
 © 2003, Projects Unlimited Inc.

SPECIFICATIONS

PARAMETERS	VALUES	UNITS
RATED VOLTAGE	10	Vp-p
OPERATING VOLTAGE RANGE	1 ~ 30	Vp-p
RATED CURRENT (MAX)	8	mA
CAPACITANCE	25,000±30%	pF
MINIMUM SPL @ 10 CM	80	dBA
RESONANT FREQUENCY	2,500±500	Hz
OPERATING TEMPERATURE	-30 ~ +85	°C
STORAGE TEMPERATURE	-40 ~ +85	°C
HOUSING MATERIAL	LCP	-
TERMINAL MATERIAL	TIN PLATED BRASS	-
WEIGHT	2	grams


REVISIONS			
LTR	DESCRIPTION	DATE	APPROVED
-	RELEASED FROM ENGINEERING	9/8/06	



NOTES:

1. ALL DIMENSIONS ARE IN MILLIMETERS.
2. SPECIFICATION SUBJECT TO CHANGE OR WITHDRAWAL WITHOUT NOTICE.
3. THIS PART IS RoHS 2002/95/EC COMPLIANT.

FILE NAME
 SMT-2225-T-R.DWG

UNLESS OTHERWISE SPECIFIED: DIMENSIONS ARE IN MILLIMETERS, TOLERANCES ARE ±0.5 AND ANGLES ARE ±3°.		 projects® unlimited Dayton, Ohio									
<table border="1"> <thead> <tr> <th>APPROVALS</th> <th>DATE</th> </tr> </thead> <tbody> <tr> <td>DRAWN <i>J.D.</i></td> <td>8/06</td> </tr> <tr> <td>CHECKED <i>B.R.</i></td> <td>9/06</td> </tr> <tr> <td>APPROVED <i>R.W.</i></td> <td>9/06</td> </tr> </tbody> </table>		APPROVALS	DATE	DRAWN <i>J.D.</i>	8/06	CHECKED <i>B.R.</i>	9/06	APPROVED <i>R.W.</i>	9/06	SURFACE MOUNT TRANSDUCER	
APPROVALS	DATE										
DRAWN <i>J.D.</i>	8/06										
CHECKED <i>B.R.</i>	9/06										
APPROVED <i>R.W.</i>	9/06										
SIZE A	DRAWING NO. SMT-2225-T-R										
DO NOT SCALE DRAWING		SCALE: N.T.S.	SHEET 1 OF 1								